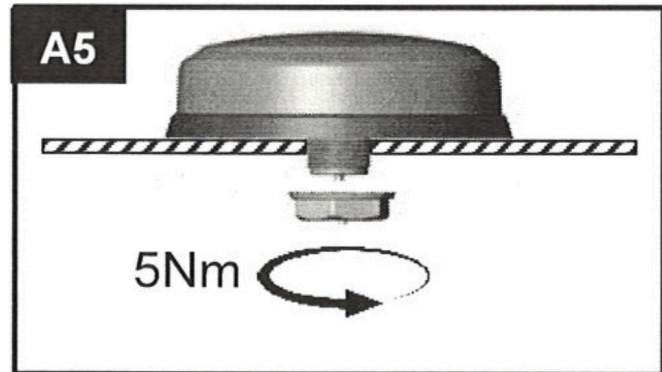
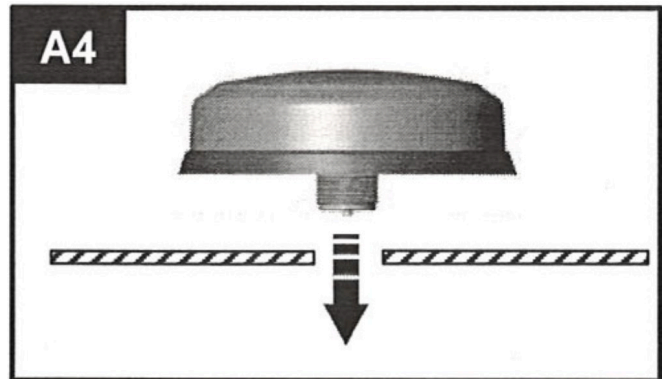
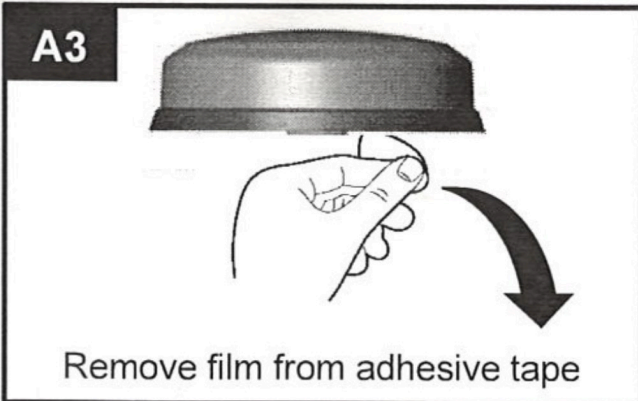
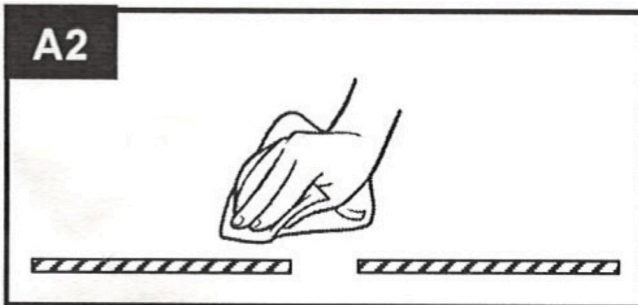
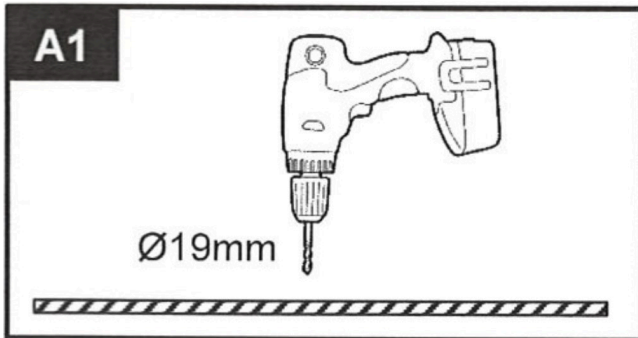


Vandal Resistant Antenna 4G

Installation Guide

Installation

The Vandal Resistant Antenna 4G is carefully selected and tested with the AmsCPU-4G and AmsCPU-IO-4G modules for operation in the 2G/3G/4G GSM spectra. The antenna is designed to mount on top of a streetlight cabinet.



Ordering Information

Product

Vandal resistant antenna 4G (GSM)

Order number

230-20-004