

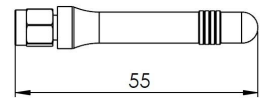
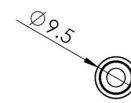
Amplex Antennas

Data Sheet

Mini-PT Dual Antenna

Semi-flexible E-GSM whip antenna for installation directly on the AmsCPU module.

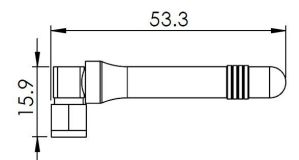
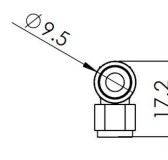
Topic	Comments
Frequency	AMPS(824-894 MHz), GSM (900 MHz), DCS (1800 MHz), PCS (1900 MHz), 3G (UMTS 2.1 GHz)
Impedance	Nom. 50 Ω
Polarization	Vertical, linear
Gain	-3,5/-3,2 dB
VSWR	< 2:1
Max Power	25 Watt
Dimensions	Length: 55 mm
Weight total	Approx. 7g
Mounting	Mount the antenna directly on the antenna socket of the AmsCPU module. Tighten it gently with your fingers. Do not use tools.
Color	Black
Temperature	-40 - +85°C



Mini-PT Dual Antenna 90°

Semi-flexible E-GSM whip antenna for installation directly on the AmsCPU module.

Topic	Comments
Frequency	AMPS(824-894 MHz), GSM (900 MHz), DCS (1800 MHz), PCS (1900 MHz), 3G (UMTS 2.1 GHz)
Impedance	Nom. 50 Ω
Polarization	Vertical, linear
Gain	-3,5/-3,2 dB
VSWR	< 2:1
Max Power	25 Watt
Dimensions	53 x 10 x 18 mm
Weight total	Approx. 14g
Mounting	Mount the antenna directly on the antenna socket of the AmsCPU module. Tighten it gently with your fingers. Do not use tools.
Color	Black
Temperature	-40 - +85°C



Amplex Antennas

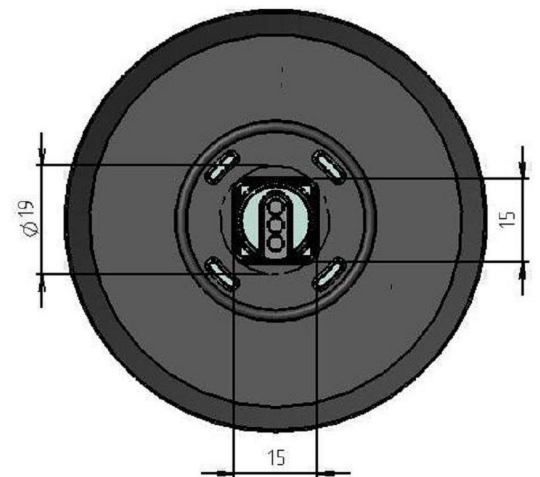
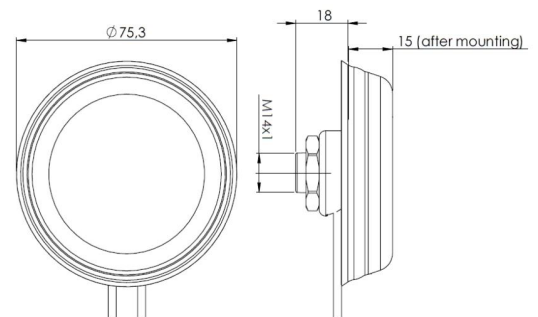
Data Sheet

Vandal Resistant Antenna

Heavy duty omni-directional DUAL BAND linear path antenna for installation on top of cabinets.

Topic	Comments
Frequency	890-960 and 1710-1880 MHz (E-GSM/GPRS)
Impedance	Nom. 50 Ω
Polarization	Linear
Gain	-3,2 dB
VSWR	<2.6:1
Dimensions	\varnothing 75,3 x 15 mm (after mounting)
Weight total	Approx. 150g
Mounting	Mount the antenna head on top of the cabinet. Mounting hole \varnothing 19mm. Slide the antenna cable into the cabinet and insert it into the antenna socket of the AmsCPU module. Tighten it gently with your fingers. Do not use tools. Note that the antenna cable must not be placed next to the cables of the AmsCurrent modules.
Mount Type	Bolt-on (M14x1 threaded stud)
Cable/Connector	2,5 m
Color	Black
Temperature	-40 - +85°C
IP Rating	IP67

An angel bracket can be delivered with the vandal resistant antenna. Request Amplex for details.



Amplex Antennas

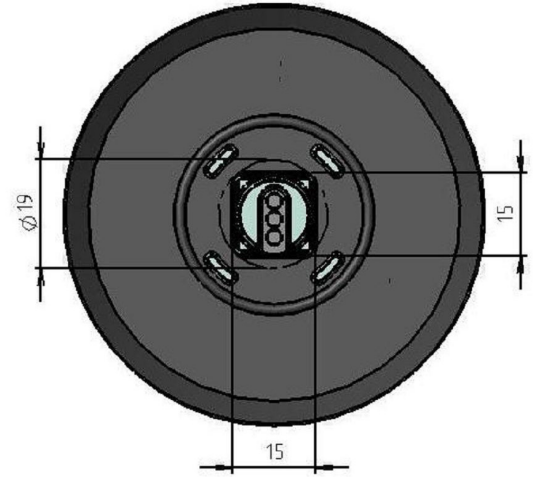
Data Sheet

Vandal Resistant Antenna - 4G

Heavy duty omni-directional antenna for installation on top of cabinets.

Topic	Comments
Frequency	790-960 and 1710-2690 MHz (2G/3G/4G/NB-IoT/LTE-M)
Impedance	Nom. 50 Ω
Polarization	Vertical
Gain	-3,2 dBi
VSWR	<3:1
Dimensions	\varnothing 96 x 26 mm (after mounting)
Weight total	Approx. 180g
Mounting	Mount the antenna head on top of the cabinet. Mounting hole \varnothing 19mm. Remove adhesive tape. Then slide the antenna cable into the cabinet and insert it into the antenna socket of the AmsCPU module. Tighten it gently with your fingers. Do not use tools. Note that the antenna cable must not be placed next to the cables of the AmsCurrent modules.
Mount Type	Bolt-on (M14x1 threaded stud)
Cable/Connector	2,5 m
Color	Black
Temperature	-40 - +85°C
IP Rating	IP67

An angel bracket can be delivered with the vandal resistant antenna. Request Amplex for details.



Ordering Information

Product	Order number
Mini-PT Dual antenna	230-30-000
Mini-PT Dual antenna 90°	230-30-001
Vandal resistant antenna	230-20-000
Vandal resistant antenna 4G	230-20-004

Bødker Balles Gård 24-26
8000 Aarhus C
Denmark
Phone +45 7199 2525
Email info@amplex.dk
www.amplex.dk