

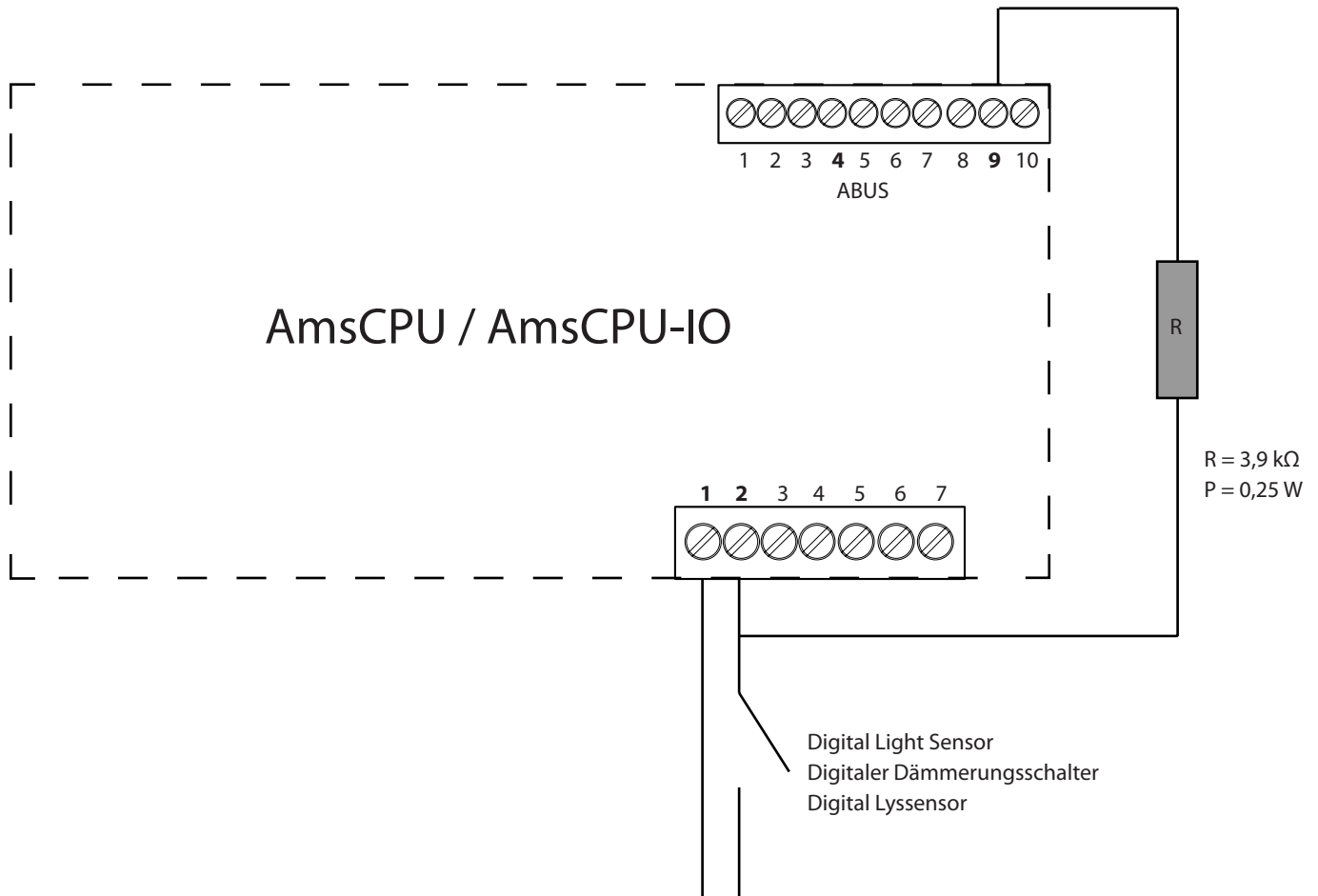
Digital Light Sensor

Installation Guide

Installation

The digital light sensor is used with GridLight™ to ensure the light is turned on safely when the weather requires it. Amplex highly recommends the use of an Analog Light Sensor over a digital light sensor as it has a higher flexibility.

+12 V feed from ABUS connector 4 or 9
+12 V von ABUS Steckklemme 4 oder 9 beziehen
+12 V tages fra ABUS klemme 4 eller 9



Ordering Information

Product	Order number
Resistor for Digital light sensor	250-30-010
Resistor with wires for Digital light sensor	250-30-011